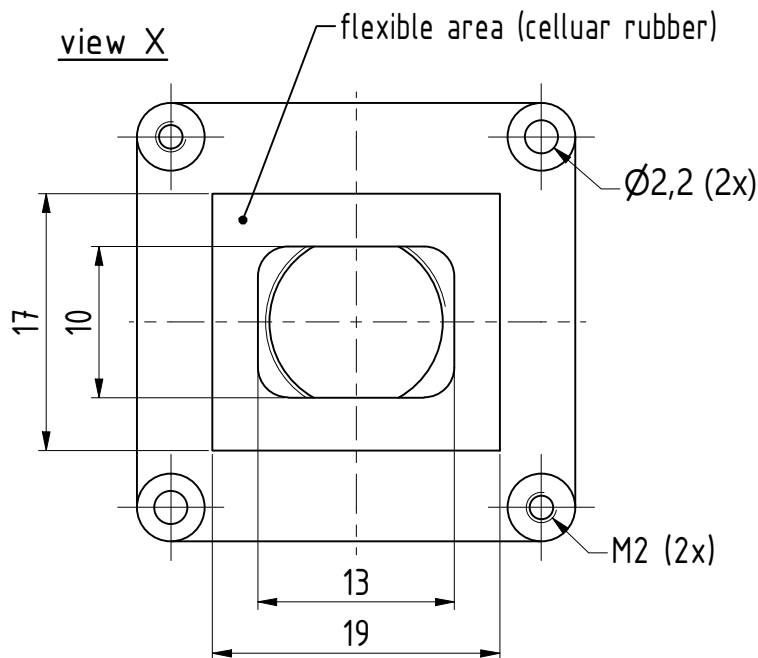


cylinder head screw ISO 4762 - M2,5 x 6



Scale: 2 : 1
 Dimensions: mm
 Tolerances: DIN ISO 2768-m

